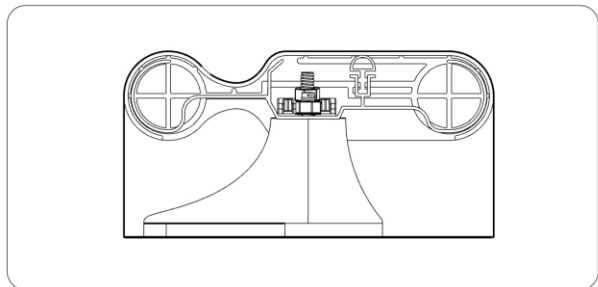
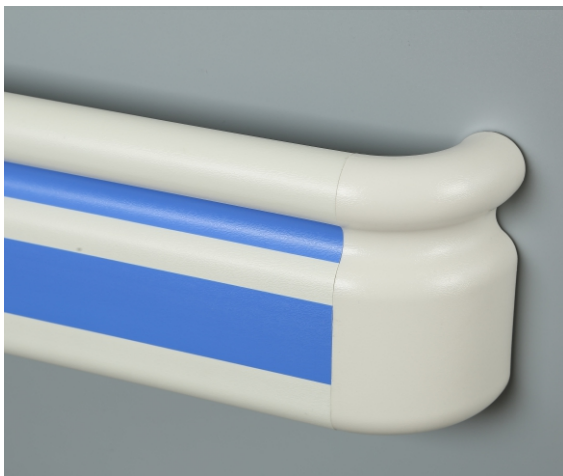


INTERIOR PRODUCT SOLUTIONS

HANDRAIL

HS-616B



Specifications and Materials:

- Vinyl and profiles are GREENGUARD certified, ABS elbow and brackets
- 6-1/4" (159mm) height
- 080" (2mm) vinyl cover
- 1-1/2" (38mm) grip
- Color: Plain color or stripe color , Any color can be customized
- 90 degree outside and inner corners
- Full screws match with handrails

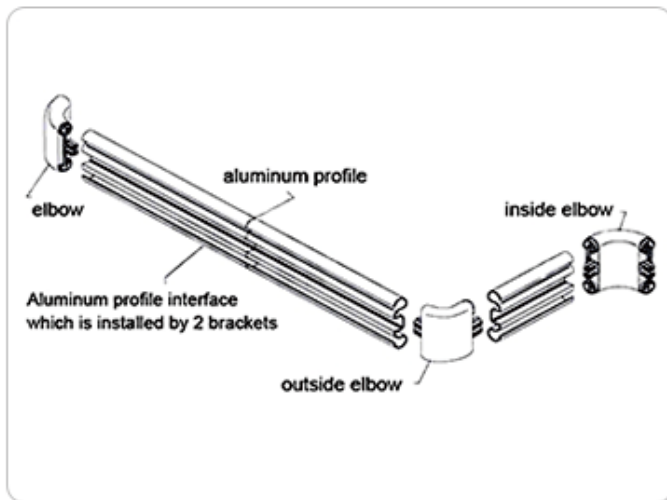
Specifications and Materials:

- Markets: Middle east, southeast Asia, Europe about 80 countries
- Inspection progress: Pre- production meeting, in line, end of line
- Inspection rate:30% of order quantity
- Produce Ability: 30000m /week
- Injection line: 15
- Extruding line:10
- Worker:200
- Factory scale:9000 SQM
- QTY of Products items : more than 100

Features:

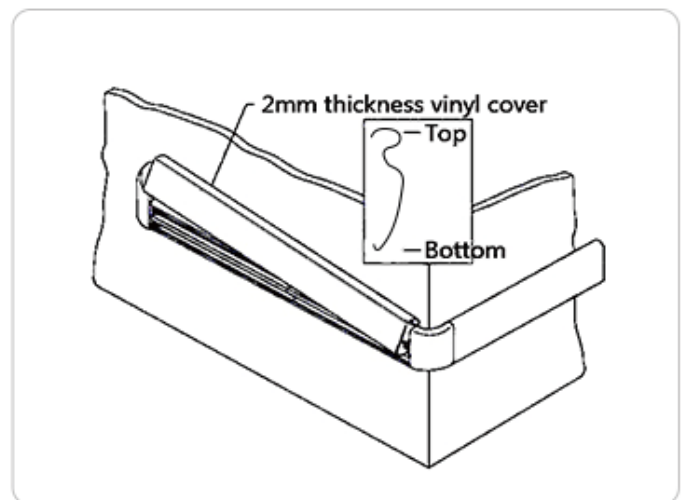
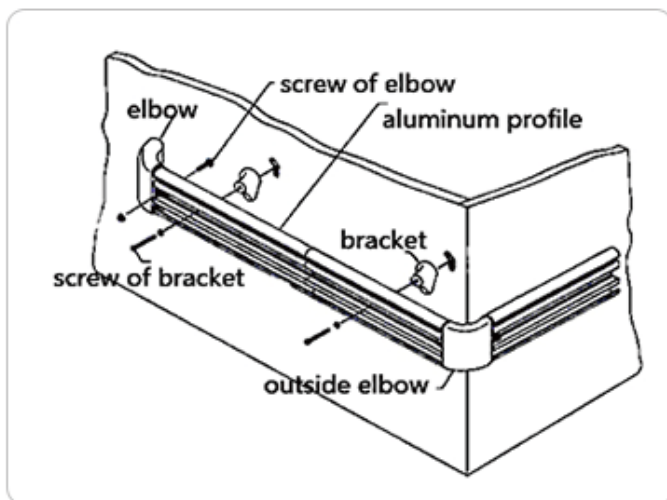
- Fire retardant
- Anti -bacterial
- ASTM G 21-15 Standard Practice
- 5 Years product warranty
- Easy to clean
- Environmental protect on material
- Cost-effective
- Strong and crash system
- Certifications: CE/ISO9001/SGS/TUV/BV

PRODUCT INSTALLATION



1. Place a horizontal line on the wall (the bottom of the handrail is 80-85CM from the ground). The bracket is fixed to the wall, and the position of the bracket is fixed from the distance of 25cm from the frame of the two sides, and is evenly distributed around 80cm. Measure the actual length between the door frames, and then subtract 16cm (two elbow lengths) from the actual length to cut the aluminum alloy profile.

2. Install elbows on both sides of the aluminum profile, fix them with screws, and then punch holes in the corresponding positions of the aluminum profiles, and then fix them on the wall.



3. After fixing the aluminum profile, measure the distance between the elbows on both sides, and then cut the vinyl cover. Before the cutting of the vinyl cover, the two ends of the material should be trimmed first.

4. Retain the vinyl cover and trim the interface between the ends of the cover and the elbow with a file.